

2Xe

RUGGED STORAGE DOCKING STATION

External dual bay docking station for Tranzpak 2 storage modules.



zmicro.com/TP2

Platform Independent Data Storage Dock

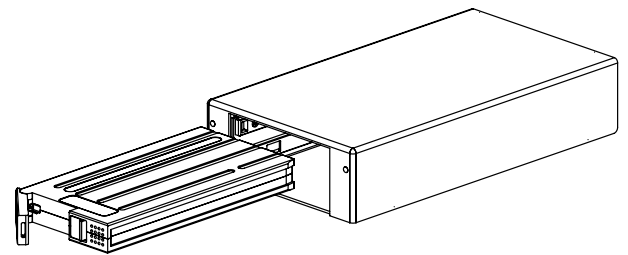
The TranzStor 2Xe is a dual bay docking station that can be connected to any computer via a standard USB communications cable. Designed to host two removable TranzPak 2 data storage modules, the TranzStor 2Xe delivers seamless integration of your digital media for transferring data from the deployed applications back to command. Whether at the office, in a lab environment, or in the field, the TranzStor 2Xe provides mission-ready storage solutions to store and transport all of your digital media from one computer to another without having to transition between technology types or rely on other network access requirements.

Secure your Digital Media

The TranzStor 2Xe docking bay allows you to seamlessly and securely transport all of your digital media from other computers and workstations that support TranzPak 2 storage modules. The TranzStor 2Xe allows the user to take the entire hard drive with them, safely and securely. Without the need to duplicate and reproduce data, the TranzStor 2Xe and other TranzPak storage solutions can help to reduce the risk of creating errors in detailed processes and makes transporting important information for intensive software applications easy and convenient.



TranzPak 2 Storage Modules



HIGHLIGHTS

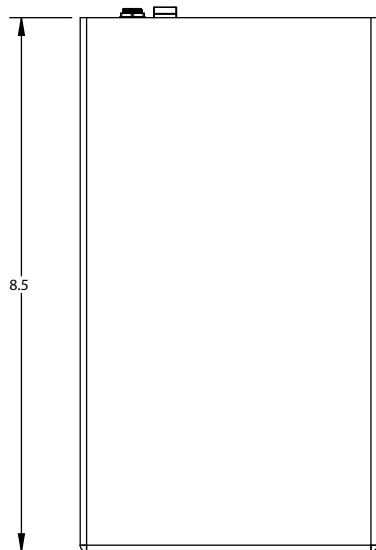
- Dual-bay external docking station
- Hosts up to two TranzPak 2 removable storage modules
- High-capacity storage options
- Plug-and-play "Hot-swap" compatibility
- Connects via USB to any computer or workstation
- USB 3.0 capable
- SATA 3.0 speeds up to 6.0 Gbit/s
- Offers complete high-end transportable data storage
- Deploy the same equipment used in the office or lab
- Transport, plug and run your most intensive software applications anywhere

FOR MORE INFO

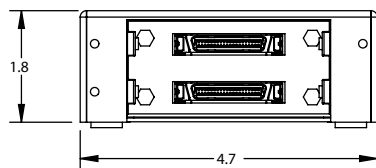
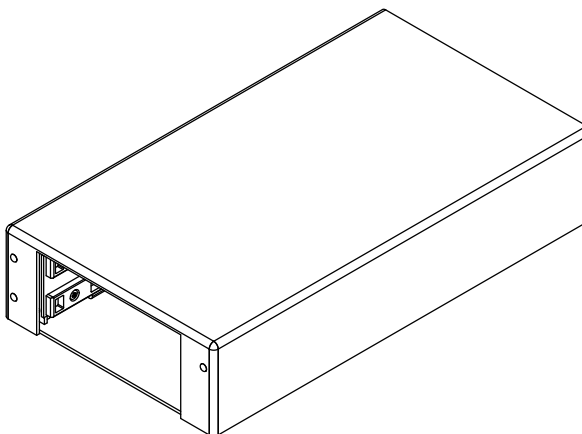
Contact us at sales@zmicro.com
or call 858.831.7000.



MECHANICAL OUTLINE



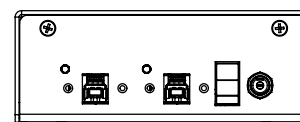
TOP



FRONT



RIGHT SIDE



REAR

TECHNICAL SPECIFICATIONS

SIZE & WEIGHT	2Xe Dimensions	1.8"H x 4.7"W x 8.5"D
	2Xe Weight	1.2lbs (without hard drives)
HARD DRIVE OPTIONS	Hard Drive Options	Up to 2 TranzPak 2 (TP2) removable storage modules supporting SATA3, 6.0Gbps speed
	Storage Capacity	Up to 8TB
	TranzPak 2 Dimensions	.74"H x 3.07"W x 6.11"D
POWER	TranzPak 2 Weight	7-10 oz.
	Power Consumption	5-15W typical w/SSD, 65W max.
	Input Voltage Range	80-264 VAC
	Frequency Range	47-63 Hz
CONNECTORS	Power Cable	C13 IEC 320 to NEMA 5-15P power connector
	USB Communication	2x USB 3.0 Type B
OTHER	Quality	AS9100:2016 and ISO 9001:2015 certified
	Part Number	TP2-2XE-S4

ZMicro, Inc. is an AS9100:2016 & ISO 9001:2015 certified company. Product information and technical data provided are typical of standard configurations of the described products. Measured results may vary slightly between units. This information is subject to change without notice. For more information, or the latest version of this product sheet, please visit our website @ www.zmicro.com.